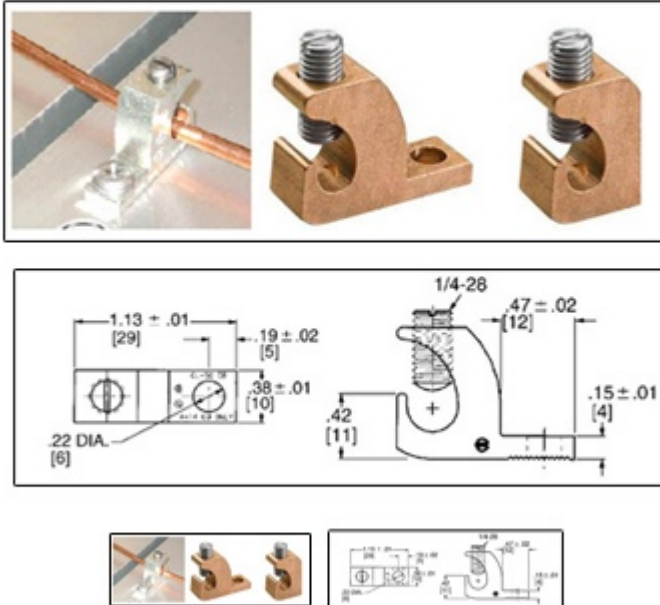


## Lay in lugs Copper Grounding Lay in Lugs

### Lay in Lugs Copper Grounding Lay in Lugs

Lay in lugs Copper Grounding Lay in Lugs



We are manufacturers of **Copper lay in Connectors Copper lay in lugs Copper grounding lay in Connectors Clamps** for Direct burial of Solar panels. These Copper lay in Lugs direct burial grounding Lugs are manufactured from high strength pure electrolytic Copper to ensure maximum strength and conductivity. UL467 Listed for direct burial in earth or concrete. The open-faced design allows for fast lay-in of the conductor without the need for cutting or breaking. Accommodates #14 - #4 copper wire. We also offer a wide array of Bronze lay in grounding clamps connectors,

#### ➔ FEATURES OF COPPER LAY IN LUGS GROUNDING CONNECTORS

- Ideal for grounding Swimming Pools, and ideal for Solar applications
- Side entrance design permits the quick installation of one continuous conductor as a jumper to multiple locations without a break in the conductor
- Made of electrolytic Copper material and AISI 304 Stainless Steel Screw
- Open faced design allows installer to quickly lay-in the grounding conductor as a jumper to multiple conduits with no break in the ground conductor
- Compliance to UL/CSA

---

**ADDEESS:****COPPER PARTS AND COMPONENTS INDIA**

Plot 10  
GIDC Ind estate  
Udyognagar  
Jamnagar 361005 Gujarat  
India

**CONTACTS:**

PHONE : 9122 43449300

FAX : 91 22 22834046

EMAIL : [info@copper-parts-components.com](mailto:info@copper-parts-components.com)

**[CONTACT US](#) | [BACK TO HOME PAGE](#)**

**KEYWORDS:**

**COPPER LAY IN LUGS , Lay in Ground lugs, GROUNDING LAY IN LUGS, COPPER LAY IN CONNECTORS , copper LUGS FOR DIRECT BURIAL, Copper cast lugs, Solar panels,Copper grounding connectors, Direct burial Copper lay in lugs, lugs with direct burial, Copper lay in Lugs manufacturers, Copper lay in clamps, lay in grounding lugs manufacturers suppliers india,solar panel Copper lugs, Bronze Lay in lugs, Bronze lay in grounding clamps connectors,**